

S P E C F I L E



Product Number : **PT-DW530**

Product Name : DLP™ Projector

Specifications

Main unit

Power supply		100–240 V AC, 5.0–1.9 A, 50/60 Hz
Power consumption		415 W (500 VA) (0.3 W at 100–120 V AC, 0.4 W at 220–240 V AC with standby mode set to ECO* ¹ , 15 W with standby mode set to NORMAL. Both with fan stopped.)
DLP™ chip	Panel size	16.5 mm (0.65 inches) diagonal (16:10 aspect ratio)
	Display method	DLP™ chip × 1, DLP™ system
	Pixels	1,024,000 (1,280 × 800) × 1, total of 1,024,000 pixels
Lens		Manual zoom (2× zoom), manual focus F 2.0–3.4, f 21.5–43.0 mm
Throw ratio	16:10 aspect ratio	1.53–3.09:1
	16:9 aspect ratio	1.53–3.09:1
Lamp		300 W (max. 310 W) UHM lamp
Screen size		1.02–7.62 m (40–300 inches), 16:10 aspect ratio
Brightness* ²		4,000 lumens (lamp mode: NORMAL)
Center-to-corner uniformity* ²		90%
Contrast* ²		2,000:1 (full on/full off)
Resolution		1,280 × 800 pixels (Input signals that exceed this resolution will be converted to 1,280 × 800 pixels.)
Scanning frequency	HDMI/DVI-D	f _H : 27 kHz–100 kHz, f _V : 24 Hz–120 Hz, dot clock: 25 MHz–162 MHz
	RGB	f _H : 15 kHz–100 kHz, f _V : 24 Hz–120 Hz, dot clock: 162 MHz or lower
	YPbPr (YCbCr)	480i (525i): f _H 15.75 kHz; f _V 60 Hz, 576i (625i): f _H 15.63 kHz; f _V 50 Hz, 480p (525p): f _H 31.50 kHz; f _V 60 Hz, 625p (576p): f _H 31.25 kHz; f _V 50 Hz, 750 (720)/60p: f _H 45.00 kHz; f _V 60 Hz, 750 (720)/50p: f _H 37.50 kHz; f _V 50 Hz, 1035/60i: f _H 33.75 kHz; f _V 60 Hz, 1125 (1080)/60i: f _H 33.75 kHz; f _V 60 Hz, 1125 (1080)/50i: f _H 28.13 kHz; f _V 50 Hz, 1080/25p: f _H 28.13 kHz; f _V 25 Hz, 1080/24p: f _H 27.00 kHz; f _V 24 Hz, 1080/24sF: f _H 27.00 kHz; f _V 48 Hz, 1080/30p: f _H 33.75 kHz; f _V 30 Hz, 1080/60p: f _H 67.50 kHz; f _V 60 Hz, 1080/50p: f _H 56.25 kHz; f _V 50 Hz
	Video/S-Video	f _H : 15.75 kHz, f _V : 60 Hz [NTSC/NTSC4.43/PAL-M/PAL60] f _H : 15.63 kHz, f _V : 50 Hz [PAL/PAL-N/SECAM]
Optical axis shift		Vertical: +70% (manual), horizontal: ±10% (manual)
Keystone correction range		Vertical: ±40°
Installation		Ceiling/floor, front/rear
Terminals	HDMI IN	HDMI 19-pin × 1, Deep Color, HDCP compatible 480p, 576p, 720/60p, 720/50p, 1080/60i, 1080/50i, 1080/24p, 1080/24sF, 1080/25p, 1080/30p, 1080/60p, 1080/50p VGA (640 × 480)–WUXGA (1,920 × 1,200), compatible with non-interlaced signals only, dot clock: 25 MHz–162 MHz Audio signal: linear PCM (sampling frequencies: 48 kHz, 44.1 kHz, 32 kHz)
	DVI-D IN	DVI-D 24-pin × 1, DVI 1.0 compliant, HDCP compatible, for single link only 480p, 576p, 720/60p, 720/50p, 1080/60i, 1080/50i, 1080/24p, 1080/24sF, 1080/25p, 1080/30p, 1080/60p, 1080/50p VGA (640 × 480)–WUXGA (1,920 × 1,200), compatible with non-interlaced signals only, dot clock: 25 MHz–162 MHz
	RGB 1 IN	BNC × 5
	R, G, B	R: 0.7 Vp-p, 75 ohms, G: 0.7 Vp-p (G: 1.0 Vp-p for sync on G), 75 ohms, B: 0.7 Vp-p, 75 ohms HD/VD, SYNC: High impedance, TTL (positive/negative) NOTE: SYNC/HD and VD terminals do not accept tri-level sync signals.
	Y, Pb, Pr	Y: 1.0 Vp-p (including sync signal), Pb/Pr: 0.7 Vp-p, 75 ohms

<p>RGB 2 IN R, G, B</p> <p>Y, PB, PR</p> <p>VIDEO IN</p> <p>S-VIDEO IN</p> <p>AUDIO IN 1</p> <p>AUDIO IN 2</p> <p>AUDIO IN 3</p> <p>AUDIO OUT</p> <p>SERIAL IN</p> <p>REMOTE IN</p> <p>LAN</p> <p>WIRELESS MODULE</p> <p>Power cord length</p> <p>Cabinet materials</p> <p>Dimensions (W × H × D)</p> <p>Weight</p> <p>Operating temperature</p> <p>Operating humidity</p> <p>Remote control unit</p> <p>Power supply</p> <p>Operation range*5</p> <p>Dimensions (W × H × D)</p> <p>Weight</p> <p>Supplied accessories</p> <p>Power cord with security lock (× 1)</p> <p>Wireless remote control unit (× 1)</p> <p>Batteries for remote control (R6/LR6/AA type × 2)</p> <p>Wire rope (× 1)</p> <p>Software CD-ROM (Logo Transfer Software, Multi Projector Monitoring and Control Software Ver. 2, Wireless Manager ME 5.5) (× 1)</p> <p>Optional accessories</p> <p>Replacement lamp unit</p> <p>Ceiling mount bracket</p> <p>Wireless module</p>	<p>D-sub HD 15-pin × 1</p> <p>R: 0.7 Vp-p, 75 ohms,</p> <p>G: 0.7 Vp-p (G: 1.0 Vp-p for sync on G), 75 ohms,</p> <p>B: 0.7 Vp-p, 75 ohms</p> <p>HD/VD, SYNC: High impedance, TTL (positive/negative)</p> <p>NOTE: SYNC/HD and VD terminals do not accept tri-level sync signals.</p> <p>Y: 1.0 Vp-p (including sync signal), PB/PR: 0.7 Vp-p, 75 ohms</p> <p>BNC × 1, 1.0 Vp-p, 75 ohms</p> <p>Mini DIN 4-pin × 1, Y: 1.0 Vp-p, C: 0.286 Vp-p, 75 ohms</p> <p>RCA × 2 (L, R × 1), 0.5 Vrms</p> <p>M3 × 1 (L, R × 1), 0.5 Vrms</p> <p>M3 × 1 (L, R × 1), 0.5 Vrms</p> <p>M3 × 1 (L, R × 1) (monitor out: 0–2.0 Vrms, variable)</p> <p>D-sub 9-pin × 1 for external control (RS-232C compliant)</p> <p>D-sub 9-pin × 1 for external control (parallel)</p> <p>RJ-45 × 1 for network connection, 100Base-TX/10Base-T, compliant with PLink™</p> <p>Connector for optional wireless module ET-WM200U/WM200E × 1</p> <p>3.0 m (9 ft 10 in)</p> <p>Molded plastic (PC + ABS)</p> <p>332 mm × 168 mm*3 × 484.5 mm*4 (13-1/16" × 6-5/8" *3 × 19-1/16" *4)</p> <p>Approx. 8.5 kg (18.7 lbs)</p> <p>0°–45°C (32°–113°F)</p> <p>20%–80% (no condensation)</p> <p>3 V DC (R6/LR6/AA type battery × 2)</p> <p>Approx. 15 m (49 ft 3 in) when operated from directly in front of the signal receptor</p> <p>48 × 163 × 24.5 mm (1-13/32" × 6-5/8" × 31/32")</p> <p>Approx. 117 g (4.1 oz) (including batteries)</p> <p>ET-LAD60A</p> <p>ET-LAD60AW (Twin Pack)</p> <p>ET-PKD110H (for high ceilings)</p> <p>ET-PKD110S (for low ceilings)</p> <p>ET-WM200U (for North America)</p> <p>ET-WM200E (for Europe and Asia)</p>
--	--

Weights and dimensions shown are approximate. Specifications subject to change without notice.

*1 When the standby mode is set to ECO, network functions such as power on over the LAN network will not operate. Also, only certain commands can be received for external control using the serial terminal.

*2 Measurement, measuring conditions, and method of notation all comply with ISO 21118 international standards.

*3 Compliant with VESA CVT-RB.

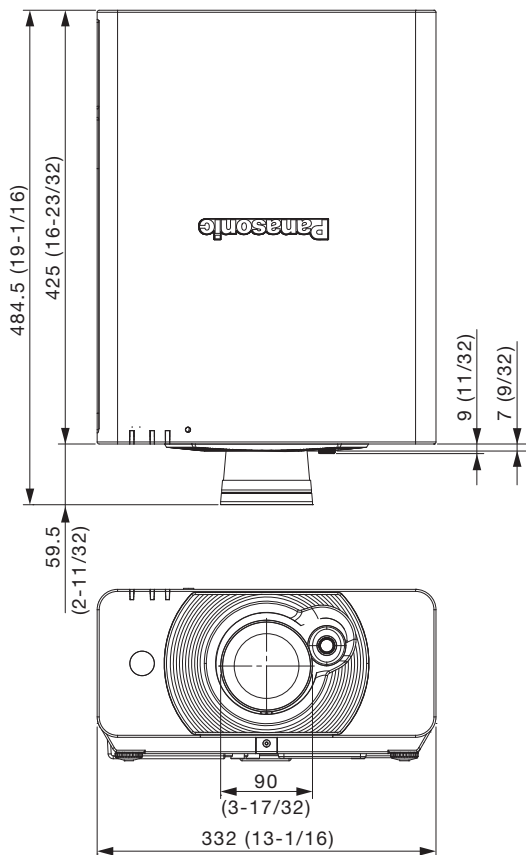
*4 With legs at shortest position.

*5 Including the lens.

*6 Operation range differs depending on environments.

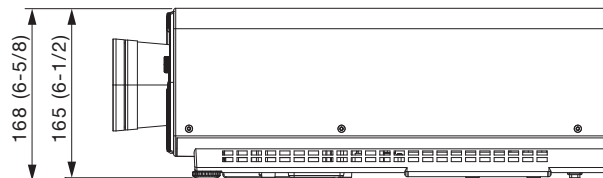
*7 The operation system must be pre-installed at the factory or clean installed.

Dimensions

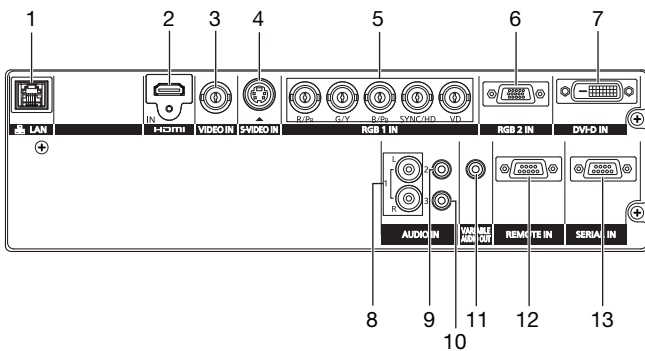


unit : mm (inch)

NOTE: This illustration is not drawn to scale.

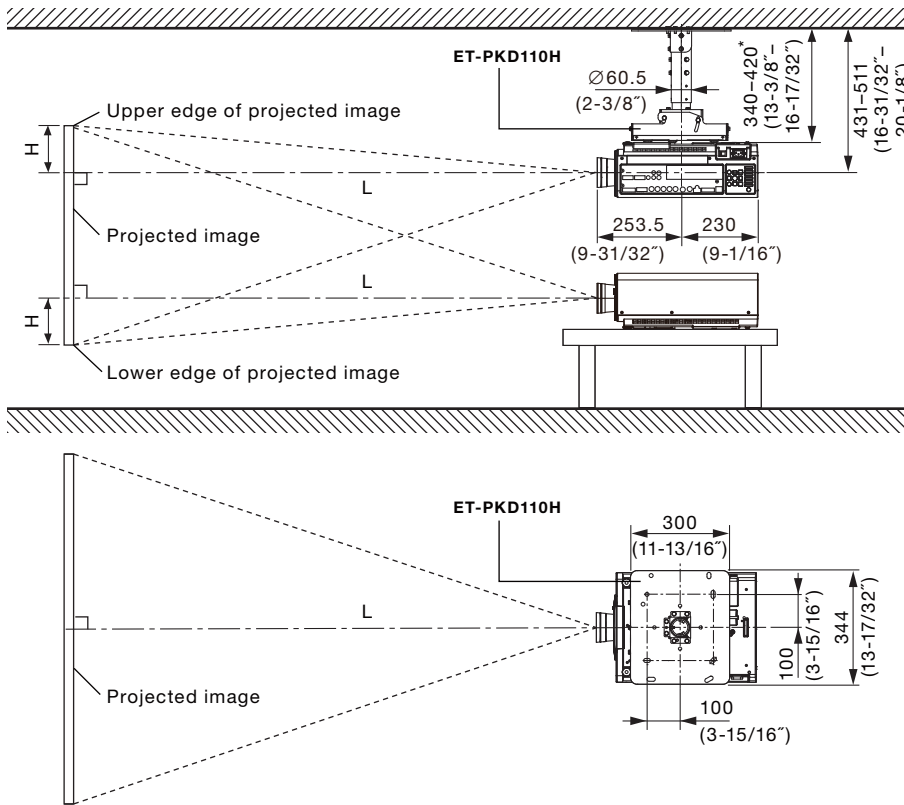


Terminals



- | | |
|-----------------|------------------|
| 1 LAN connector | 8 Audio 1 input |
| 2 HDMI input | 9 Audio 2 input |
| 3 Video input | 10 Audio 3 input |
| 4 S-Video input | 11 Audio output |
| 5 RGB 1 input | 12 Remote input |
| 6 RGB 2 Input | 13 Serial input |
| 7 DVI-D input | |

Standard setting-up position



** Adjustable in 40 mm (1-9/16") steps.

NOTE:
Illustrations show the projector installed using optional ceiling bracket.
This illustration is not drawn to scale.

unit : mm (inch)

Caution:

- All construction work should be done by a qualified technician.
- When mounting to the ceiling, use the special mounting bracket. To prevent the projector from swaying or dropping, attach the wire that is included with the projector between the mounting bracket and the ceiling.

Projection distance for 16:10 aspect ratio screen

unit: meters (feet)

Projection size [diagonal]	Projection distance [L]		Height from the edge of screen to center of lens [H]	
	Min [wide]	Max [telephoto]		
1.02 m / 40"	1.29 (4.3)	2.64 (8.6)	-0.11 - 0.27	(-0.4 - 0.9)
1.27 m / 50"	1.63 (5.4)	3.31 (10.8)	-0.14 - 0.34	(-0.4 - 1.1)
1.52 m / 60"	1.96 (6.5)	3.98 (13.0)	-0.16 - 0.40	(-0.5 - 1.3)
1.78 m / 70"	2.30 (7.6)	4.65 (15.2)	-0.19 - 0.47	(-0.6 - 1.5)
2.03 m / 80"	2.64 (8.7)	5.32 (17.4)	-0.22 - 0.54	(-0.7 - 1.8)
2.29 m / 90"	2.97 (9.8)	5.99 (19.6)	-0.24 - 0.61	(-0.8 - 2.0)
2.54 m / 100"	3.31 (10.9)	6.66 (21.8)	-0.27 - 0.67	(-0.9 - 2.2)
3.05 m / 120"	3.98 (13.1)	8.00 (26.2)	-0.32 - 0.81	(-1.1 - 2.7)
3.81 m / 150"	4.99 (16.4)	10.01 (32.8)	-0.40 - 1.01	(-1.3 - 3.3)
5.08 m / 200"	6.67 (21.9)	13.36 (43.8)	-0.54 - 1.35	(-1.8 - 4.4)
6.35 m / 250"	8.35 (27.4)	16.72 (54.8)	-0.67 - 1.68	(-2.2 - 5.5)
7.62 m / 300"	10.03 (33.0)	20.07 (65.8)	-0.81 - 2.02	(-2.7 - 6.6)

NOTE:

- The value for L (distance to screen) varies slightly within ±5% depending on the zoom lens characteristics.
- At the shortest projection distance, the zoom lens characteristics may cause slight image distortion.
- When vertical keystone correction is used, the image is corrected in the direction that reduces its projected size.
- The brightness varies depending on the zoom setting.

Projection distance for 16:9 aspect ratio screen

unit: meters (feet)

Projection size [diagonal]	Projection distance [L]		Height from the edge of screen to center of lens [H]	
	Min [wide]	Max [telephoto]		
1.02 m / 40"	1.33 (4.4)	2.72 (8.9)	-0.14 – 0.25	(-0.5 – 0.8)
1.27 m / 50"	1.67 (5.5)	3.40 (11.1)	-0.17 – 0.31	(-0.6 – 1.0)
1.52 m / 60"	2.02 (6.7)	4.09 (13.4)	-0.21 – 0.37	(-0.7 – 1.2)
1.78 m / 70"	2.36 (7.8)	4.78 (15.6)	-0.24 – 0.44	(-0.8 – 1.4)
2.03 m / 80"	2.71 (8.9)	5.47 (17.9)	-0.28 – 0.50	(-0.9 – 1.6)
2.29 m / 90"	3.06 (10.1)	6.16 (20.2)	-0.31 – 0.56	(-1.0 – 1.8)
2.54 m / 100"	3.40 (11.2)	6.85 (22.4)	-0.35 – 0.62	(-1.1 – 2.0)
3.05 m / 120"	4.09 (13.5)	8.23 (26.9)	-0.42 – 0.75	(-1.4 – 2.5)
3.81 m / 150"	5.13 (16.9)	10.29 (33.7)	-0.52 – 0.93	(-1.7 – 3.1)
5.08 m / 200"	6.86 (22.5)	13.74 (45.0)	-0.69 – 1.25	(-2.3 – 4.1)
6.35 m / 250"	8.58 (28.2)	17.18 (56.3)	-0.87 – 1.56	(-2.8 – 5.1)
7.62 m / 300"	10.31 (33.9)	20.63 (67.6)	-1.04 – 1.87	(-3.4 – 6.1)

NOTE:

- The value for L (distance to screen) varies slightly within ±5% depending on the zoom lens characteristics.
- At the shortest projection distance, the zoom lens characteristics may cause slight image distortion.
- When vertical keystone correction is used, the image is corrected in the direction that reduces its projected size.
- The brightness varies depending on the zoom setting.

Calculation of the projection distance

For a screen size different from the above, use the equation below to calculate the projection distance.

Aspect ratio 16:10

minimum L (m) = (diagonal screen size in inches) × 0.0336 – 0.0546

maximum L (m) = (diagonal screen size in inches) × 0.0670 – 0.0408

Aspect ratio 16:9

minimum L (m) = (diagonal screen size in inches) × 0.0346 – 0.0546

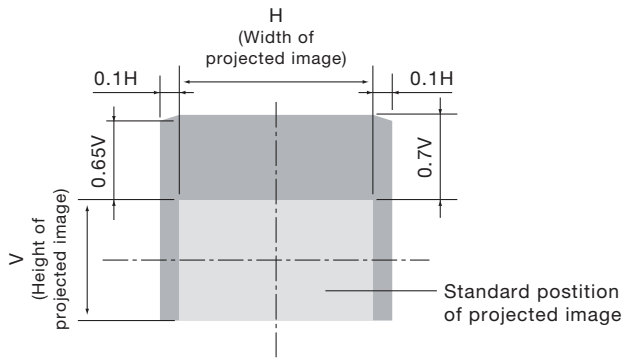
maximum L (m) = (diagonal screen size in inches) × 0.0689 – 0.0408

NOTE: Distances calculated with the above equations will include a slight error.

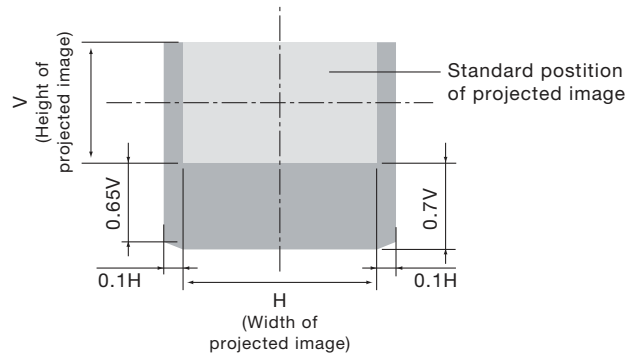
Shift range

Optical axis shift function allows to shift the position of a projected image as shown below.

• **Floor mount**



• **Ceiling mount**

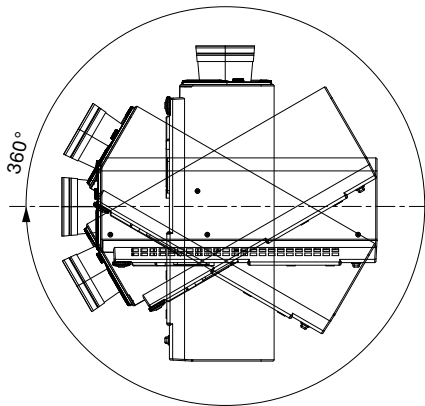


Installable angle

Install the projector at an angle within the range shown below.

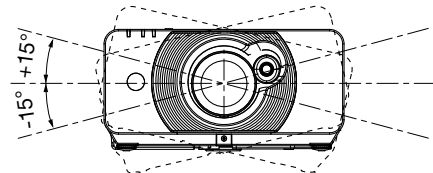
• **Vertical direction**

The projector may be installed at a vertical angle of 360°.



• **Horizontal direction**

The projector may be installed at a horizontal angle of ±15°.



List of compatible signals

The signals that can be input to this projector are shown in the table below. Horizontal scanning frequencies of 15 kHz to 100 kHz, vertical scanning frequencies of 24 Hz to 120 Hz, and a dot clock of 162 MHz maximum can be input.

NOTE: The native resolution of this projector is 1,920 × 1,200 pixels. If the display resolution of the input signal is different from the native resolution, image compression or expansion will be used to convert the input signal to a level within the native resolution.

Display mode	Display resolution (dots)*1	Scanning frequency		Dot clock frequency (MHz)	Format	
		H (kHz)	V (kHz)			
NTSC/NTSC4.43/PAL-M/PAL6	720 × 480i	15.7	59.9	–	VIDEO/S-VIDEO	
PAL/PAL-N/SECAM	720 × 576i	15.6	50.0	–		
480i (525i)	720 × 480i	15.7	59.9	13.5	SDI/RGB/YPbPr	
576i (625i)	720 × 576i	15.6	50.0	13.5		
480p (525p)	720 × 483	31.5	59.9	27.0	HDMI/DVI-D/ RGB/YPbPr	
576p (625p)	720 × 576	31.3	50.0	27.0		
720/60p	1280 × 720	45.0	60.0	74.3		
720/50p	1280 × 720	37.5	50.0	74.3		
1080/60i	1920 × 1080i	33.8	60.0	74.3		
1080/50i	1920 × 1080i	28.1	50.0	74.3		
1080/24p	1920 × 1080	27.0	24.0	74.3		
1080/24sF	1920 × 1080i	27.0	24.0	74.3		
1080/25p	1920 × 1080	28.1	50.0	74.3		
1080/30p		33.8	60.0	74.3		
1080/60p		67.5	60.0	148.5		
1080/50p		56.3	50.0	148.5		
VGA400	640 × 400	31.5	70.1	25.2		HDMI/DVI-D/RGB
		37.9	85.1	31.5		
VGA480	640 × 480	31.5	59.9	25.2		
		35.0	66.7	30.2		
		37.9	72.8	31.5		
		37.5	75.0	31.5		
		43.3	85.0	36.0		
SVGA	800 × 600	35.2	56.3	36.0		
		37.9	60.3	40.0		
		48.1	72.2	50.0		
		46.9	75.0	49.5		
		53.7	85.1	56.3		
MAC16	832 × 624	49.7	74.6	57.3		
XGA	1024 × 768	39.6	50.0	51.9		
		48.4	60.0	65.0		
		56.5	70.1	75.0		
		60.0	75.0	78.8		
		65.5	81.6	86.0		
		68.7	85.0	94.5		
		80.0	100.0	105.0		
		96.7	120.0	130.0		
MXGA	1152 × 864	53.7	60.0	81.6		
		64.0	71.2	94.2		
		67.5	74.9	108.0		
		76.7	85.0	121.5		
MAC21	1152 × 870	68.7	75.1	100.0		
1280 × 720	1280 × 720	37.1	49.8	60.5		
		44.8	59.9	74.5		
1280 × 768	1280 × 768	39.6	49.9	65.3		
		47.8	59.9	79.5		
1280 × 768*2		47.4	60.0	68.3		
1280 × 768		60.3	74.9	102.3		
		68.6	84.8	117.5		

*1 The "i" appearing after the resolution indicates an interlaced signal.

*2 Compliant with VESA CVT-RB (Coordinated Video Timing-Reduced Blanking).

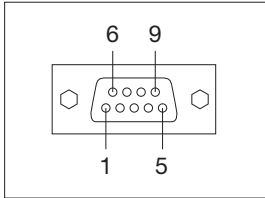
Display mode	Display resolution (dots) ^{*1}	Scanning frequency		Dot clock frequency (MHz)	Format
		H (kHz)	V (kHz)		
1280 × 800	1280 × 800	41.3	50.0	68.0	HDMI/DVI-D/RGB
		49.7	59.8	83.5	
		49.3	59.9	71.0	
		62.8	74.9	106.5	
1280 × 800 ^{*2}	1280 × 800	71.6	84.9	122.5	
MSXGA	1280 × 960	60.0	60.0	108.0	
SXGA	1280 × 1024	52.4	50.0	88.0	
		64.0	60.0	108.0	
		72.3	66.3	125.0	
		78.2	72.0	135.1	
		80.0	75.0	135.0	
1366×768	1280 × 768	91.1	85.0	157.5	
		47.7	59.8	84.8	
SXGA+	1400 × 1050	39.6	49.9	69.0	
		54.1	50.0	99.9	
WXGA+	1440 × 900	64.0	60.0	108.0	
		65.2	60.0	122.6	
		65.3	60.0	121.8	
		78.8	72.0	149.3	
		82.2	75.0	155.9	
UXGA60	1600 × 1200	55.9	59.9	106.5	
WSXGA+	1680 × 1050	46.3	49.9	86.8	
		75.0	60.0	162.0	
1920×1080	1920 × 1080	65.3	60.0	146.3	
1920×1080 ^{*2}		54.1	50.0	119.5	
1920×1080		55.6	49.9	141.5	
WUXGA	1920 × 1200	66.6	59.9	138.5	RGB
WUXGA ^{*2}		67.2	60.0	173.0	
WUXGA		61.8	49.9	158.3	
WUXGA		74.0	60.0	154.0	HDMI/DVI-D/RGB
WUXGA		74.6	59.9	193.3	RGB

*1 The "i" appearing after the resolution indicates an interlaced signal.
 *2 Compliant with VESA CVT-RB (Coordinated Video Timing-Reduced Blanking)

Serial connector

The serial connector complies with RS-232C. To control the projector from a personal computer, commands must be input through communication software, based on the format and satisfying the communication conditions shown below.

Pin assignments and signal names



D-sub 9-pin (female)
Serial input

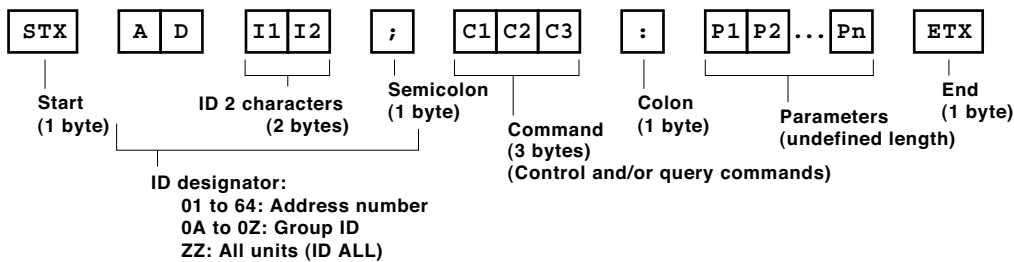
No.	Signal name	Description	No.	Signal name	Description
1	-	NC	6	-	NC
2	TXD	Send data	7	CTS	Connected internally
3	RXD	Receive data	8	RTS	Connected internally
4	-	Connected internally	9	-	NC
5	GND	Ground			

Communication conditions (factory setting)

Signal level	RS-232C-compliant
Synchronization method	Start-stop synchronization
Baud rate	9,600 bps
Parity	None
Character length	8 bits
Stop bit	1 bit
X parameter	None
S parameter	None

Basic format

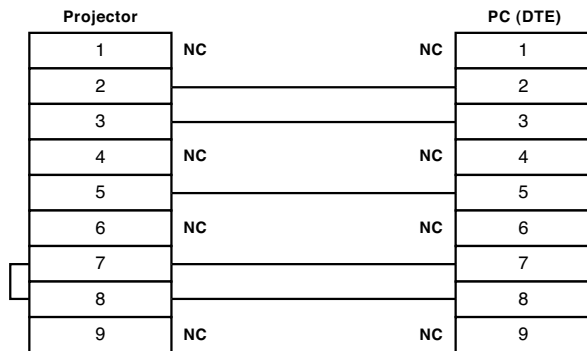
Transmission from the computer begins with STX, then the ID, command, parameter, and ETX are sent in this order. Add parameters according to the details of control.



CAUTION

- It may not be possible to send or receive commands for about 10 to 60 seconds when the lamp is first turned on. If this occurs, wait for 60 seconds, then try sending or receiving again.
- When sending multiple commands, be sure to wait for at least 0.5 second after receiving a response from the projector before sending the next command.
- Additional time is sometimes required for response due to processing inside the projector. Set the time-out period for command response to 10 seconds or more.
- When using two or more units, set different IDs for each unit.

Cable specifications



Control commands

Command : Parameter	Function		Callback
PON	POWER (STANDBY)	Standby power on	PON
POF		Standby power off	POF
IIS:HD1	INPUT SELECT	HDMI	IIS:HD1
IIS:DVI		DVI	IIS:DVI
IIS:RG1		RGB 1	IIS:RG1
IIS:RG2		RGB 2	IIS:RG2
IIS:NWP		Network	IIS:NWP
IIS:VID		Video	IIS:VID
IIS:SVD		S-Video	IIS:SVD
OPP:0	SIDE BY SIDE	Off	OPP:0
OPP:1		On	OPP:1
OSH:0	AV MUTE	Off	OSH:0
OSH:1		On	OSH:1
OFZ:0	FREEZE	Off	OFZ:0
OFZ:1		On	OFZ:1
OAS	AUTO SETUP		OAS
VPM:NAT	PICTURE MODE	Natural	VPM:NAT
VPM:STD		Standard	VPM:STD
VPM:DYN		Dynamic	VPM:DYN
VPM:CIN		Cinema	VPM:CIN
VPM:GRA		Graphic	VPM:GRA
VPM:DIC		DICOM	VPM:DIC
VPM:709		Rec. 709	VPM:709
OTE:1		COLOR TEMPERATURE	Middle
OTE:2	High		OTE:2
OTE:4	User		OTE:4
OTE:10	Default		OTE:10
TSD:y1y2y3y4m1m2d1d2w*1	DATE	Date setting	TSD:y1y2y3y4m1m2d1d2w*1
TST:h1h2m1m2s1s2	TIME	Time setting	TST:h1h2m1m2s1s2
OOS:0	ON SCREEN	On-screen display off	OOS:0
OOS:1		On-screen display on	OOS:1

*1 w: day of week: Monday = 1, Tuesday = 2, ... Sunday = 7

NOTE:

- Do not send PON, POF or OSH commands continuously in a short period of time. Doing so may burst the lamp or shorten the lamp replacement cycle.
- When a command that cannot be executed during standby mode is sent, the projector will send an ER401 command in reply.

Status request commands

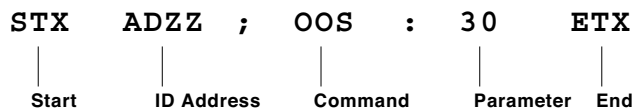
Command:Parameter	Function	Callback	Description
QPW	Main power status	000	Standby (Off)
		001	On
QIN	Input signal status	HD1	HDMI
		DVI	DVI
		RG1	RGB 1
		RG2	RGB 2
		NWP	Network
		VID	Video
		SVD	S-Video
OPP	Side-by-side function status	0	Off
		1	On
QSH	AV mute function status	0	Off
		1	On
QFZ	Freeze function status	0	Off
		1	On
QOS	On-screen display status	0	Off
		1	On
QST	Projector run time	p1p2p3p4p5	00000h–99999h
Q\$L	Lamp run time	p1p2p3p4	0000h–9999h
QLP	Lamp power mode status	0	Normal
		1	Eco
QPM	Picture mode status	NAT	Natural
		STD	Standard
		DYN	dynamic
		CIN	Cinema
		GRA	Graphic
		DIC	DICOM
		709	Rec. 709
QTM: 0	Temperature status	p1p2p3p4/p5p6p7p8*1	p0 = Intake air
QTM: 1			p1 = Around lamp
QTM: 2			p2 = Optics module
QGD	Date setting status	y1y2y3y4m1m2d1d2w	yyyymmddw*2
QGT	Time setting status	h1h2m1m2s1s2	hhmmss

*1 p1p2p3p4: Celsius (°C), p5p6p7p8: Fahrenheit (°F)
 *2 w: day of week: Monday = 1, Tuesday = 2, ... Sunday = 7

NOTE: If a wrong command is received, the projector will send an ER401 or ER402 command to the computer.

Command example

To set the on-screen display off, send the command as shown below.

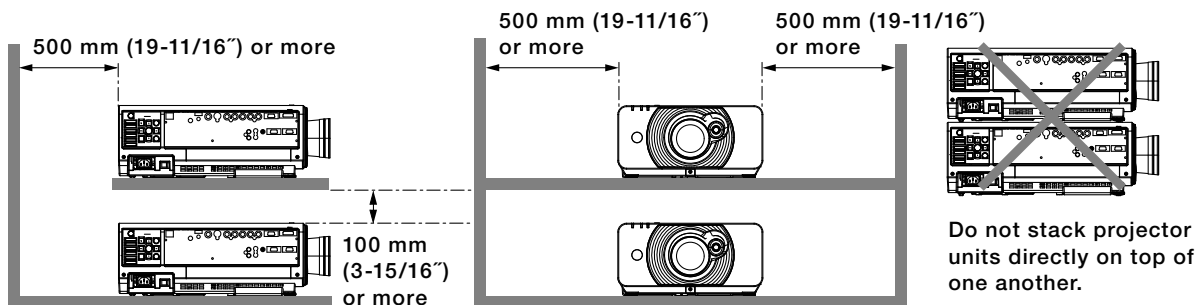


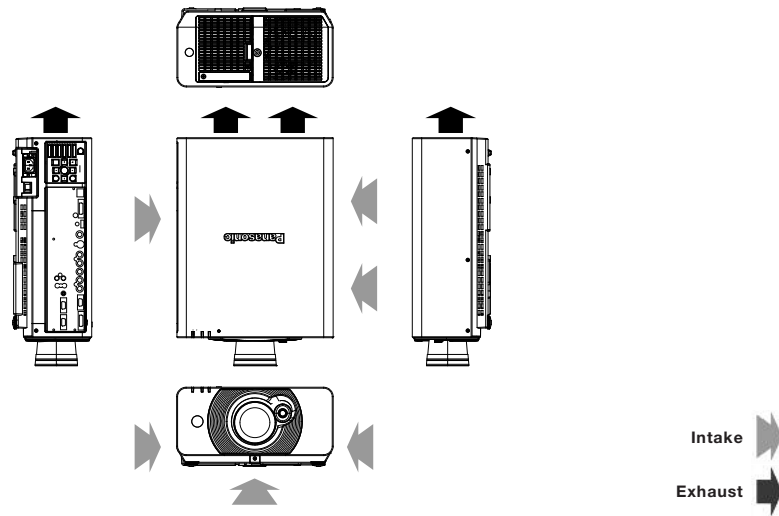
NOTE: When sending commands without parameters, a colon (:) is not necessary.

Notes on projector placement and operation

The projector uses a high-wattage lamp that becomes very hot during operation. Please observe the following precautions.

1. Never place objects on top of the projector while it is operating.
2. Make sure there is an unobstructed space of 500 mm (19-11/16") or more around the projector's exhaust openings.
3. Do not stack projector units directly on top of one another. If two units must be stacked for back-up use in ordinary projection, use a method as shown below and provide ample space between the units to ensure that exhaust heat does not accumulate near the intake opening or around the units. Dual stacked projection is not recommended.
4. Make sure that nothing blocks the projector's air intake and exhaust openings. Also, install the projector so that cool or hot air from other air conditioning equipment does not flow directly toward the projector's air intake or exhaust openings.
5. Do not install the projector in an enclosed space. If it is necessary to install it in an enclosed space, add a separate ventilation system. If ventilation is insufficient, hot air will accumulate at the intake opening. This may cause the projector's protective circuit to interrupt projector operation.
6. If the projector is installed in an enclosed space, ensure that the temperature of the air surrounding the projector is between 0°C (32°F) and 40°C (104°F). Also make sure that the projector's intake and exhaust openings are not blocked. Even though the air surrounding the projector is 40°C (104°F) or less, if hot exhaust air accumulates inside the space, it may cause the projector's protective circuit to interrupt projector operation. Pay particular attention to the surrounding temperature conditions when planning the installation.
7. When installing the projector in any manner other than floor mounting with the adjuster legs, use the five threaded ceiling mount holes (screw diameter: M4, projector interior thread length: 7 mm) to secure the projector. Also, provide a 5- to 10-mm (3/16" to 13/32") space between the projector and the mounting surface by inserting metal spacers.



Direction of air intake and exhaust**Operating the projector continuously**

1. If the projector is to be operated continuously 22 hours or more, lamp replacement cycle duration becomes shorter.
2. The lamp replacement cycle duration becomes shorter if the projector is operated repeatedly for short periods (one hour or less).

DLP and the DLP logo are trademarks of Texas Instruments.

PJLink is a registered trademark, or a trademark application has been filed, in Japan, the United States, and other countries and regions.

Intel, Pentium, and Intel Core are trademarks or registered trademarks of Intel Corporation or its subsidiaries in the United States and other countries.

Microsoft, Windows Vista and Windows are either registered trademarks or trademarks of Microsoft Corp. in the United States and/or other countries.

Apple, Mac, Mac OS, and Macintosh are trademarks of Apple Inc., registered in the U.S. and other countries.

PowerPC is a trademark of International Business Machines Corporation, registered in the U.S.

All other trademarks are the property of their respective trademark owners.